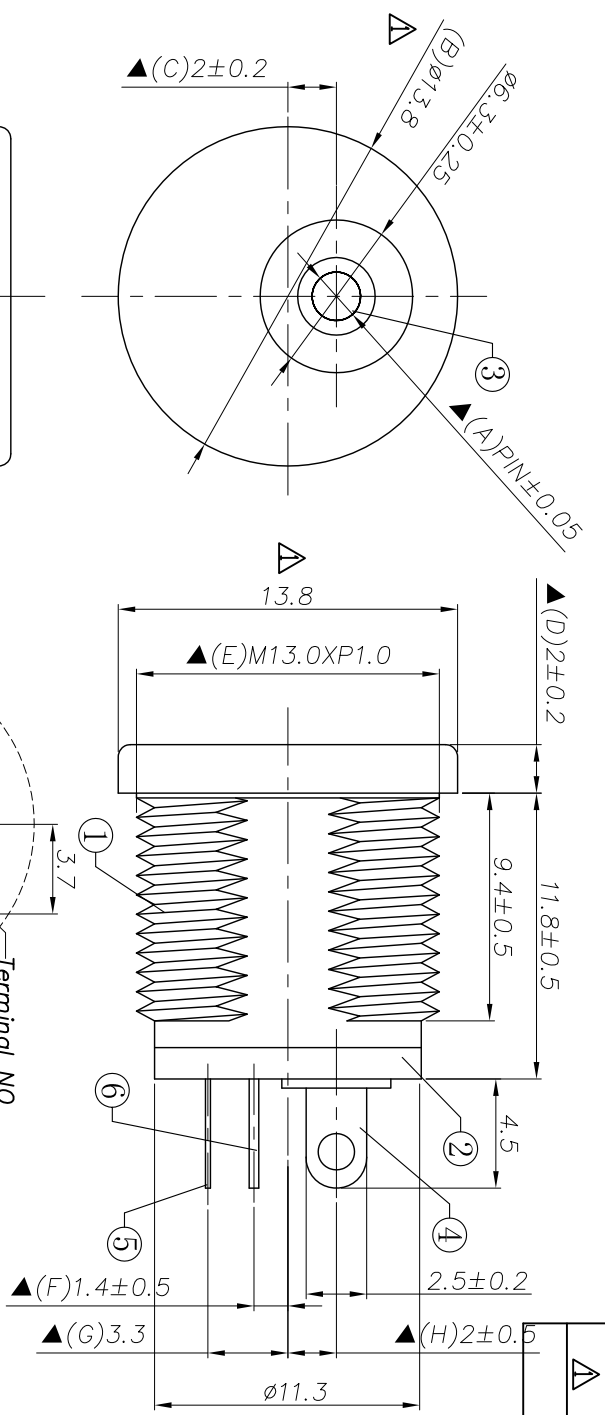
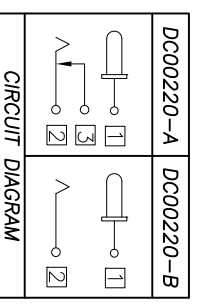
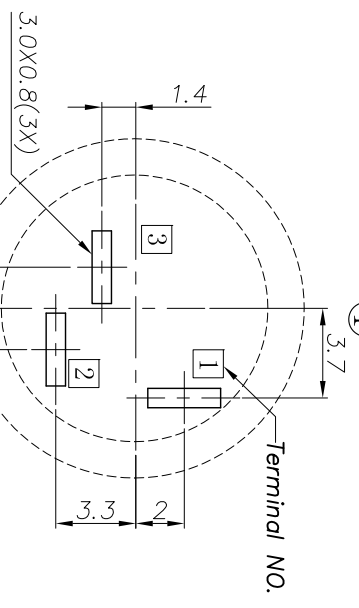
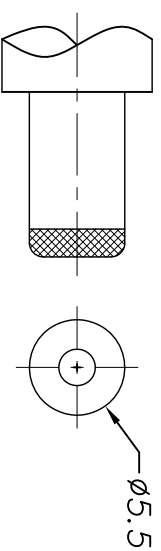


REV. LTR.	DESCRIPTION	SIGN	DATE
A	尺寸變更為13.8mm	Water	2016.04.26.

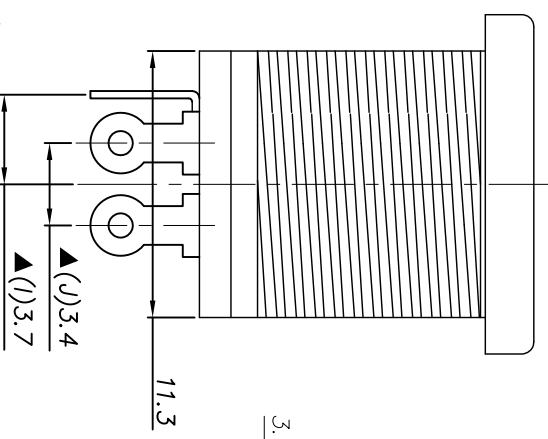


Ordering information:  
 DC00220-□ □  
 (1) :Series No.  
 (2) :Schematic option: A, B  
 (3) :Center pin diameter:  
 H=φ2.0, J=φ2.35, J=φ2.5



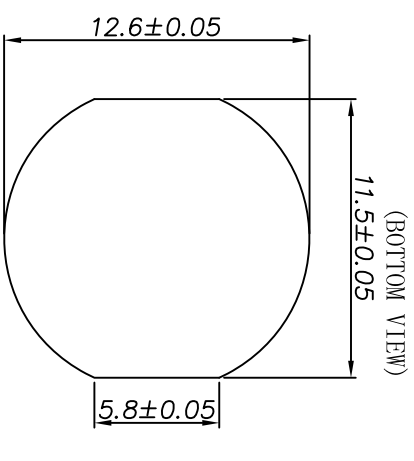
Model No.	DC00220-H	DC00220-J	DC00220-K
PIN	φ2.0	φ2.35	φ2.5

RECOMMENDED P.C.B. LAYOUT  
 UNSPECIFIED TOLERANCE: ±0.05



Specification:

1. Rating : DC 20V 2.5A.
2. Contact resistance: ≤50mΩ.
3. Insulation resistance: ≥100MΩ (500VDC).  
After test: ≤100mΩ
4. Withstanding voltage: 500VAC.
5. Insertion and extraction force: 3N~30N.
6. Life test: 5000cycles min.
7. Operation temperature range:-20℃~70℃.
8. Preservative temperature range:-40℃~85℃.
9. Sign "▲" is importance dimension.



NO.	DESCRIPTION	QTY	MATERIAL	REMARK
⑥	Shunt terminal	3	Brass t0.3	Tin plating
⑤	Tip spring	2	Stainless steel t0.25	Tin plating
④	Center pin terminal	1	Brass t0.3	Tin plating
③	Center pin	1	Copper alloy	Nickel plating
②	Cover	1	PF	
①	Housing	1	PBT	Black

UNIT:MM	TYPE:	MODEL NO:	PAPER NO: A4	PAGE 1 OF 1
DC POWER JACK	DC00220-__			
TOLERANCE	ANGLES	SCALE	VER	
±0.3	±2°	N/A	01	

DESIGNER BY: Zhangxiuke 2011.06.28  
 CHECK BY:  
 APPROVED BY:  
 丞永實業有限公司  
 BLUE SOURCES ELECTRONICS CO.,LTD.